

NORDICMED

SCANDINAVIAN HEALTHCARE PROFESSIONALS

WHY NORDICMED

We are pleased to inform you that we currently have Scandinavian nursing professionals available for employment to meet the nationwide shortfall of nurses throughout the United States. We at NordicMed distinguish ourselves from other healthcare placement services by the following:

1. Scandinavian nurses have among the highest degree of technical experience compared to nurses globally. Nurses in Scandinavia are responsible for performing many procedures currently executed by U.S. doctors. Scandinavian teaching hospitals are on the cutting edge of technology and research. Most of our recruits have been trained or work at these hospitals. In addition, morbidity and mortality rates are significantly lower in Scandinavian hospitals than those in North America due to the excellence and high standards exhibited by the nursing professionals.
2. NordicMed nurses are fluent in English as well as several other languages. These languages often include Spanish, French and German.
3. Each NordicMed nurse has at least two years of practical experience as a practicing nurse. Scandinavian nurses, in addition, all hold bachelor's degrees in nursing from accredited colleges/universities throughout Scandinavia.
4. NordicMed offers long-term contracts at a lower fee than can be found with other placement services. We offer this service to remain competitive and to provide hospitals with the security that they won't have to search for a replacement every 13 weeks when a contract expires. These long-term contracts benefit your hospital by decreasing turnover (and therefore training time), decreasing the cost to your hospital, and improving the general nursing environment by reducing stress for coworkers.
5. Each nurse applicant goes through a strict screening process to verify his or her credentials. Our candidates are interviewed by a minimum of three recruiters to evaluate not only their work experience but to determine if they emotionally prepared for relocating to and working within the United States. In addition, NordicMed requires at least two letters of recommendation as well as the completion of a Clinical Proficiency Profile to determine the extent of our recruits' experience.

NORDICMED USA

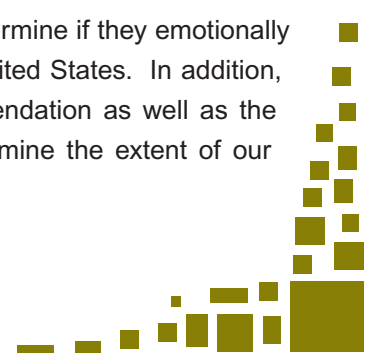
P.O. Box 1222
Andover, MA 01810 USA
info@NordicMed.com
www.NordicMed.com
1 (877) -966-7342
1 (877) -9NORDIC

WHY NORDICMED

NordicMed Massachusetts
P.O. Box 1222
Andover, MA 01810 USA
Phone: 877 - 9NORDIC
Phone: 877 - 966-7342

NordicMed Sweden
Karl Gerhardsväg 25
133 35 Saltsjöbaden, Sweden
Phone: 46 - (08) - 660 62 86
Fax: 46 - (08) - 13 27 10

NordicMed Florida
2940 North Course Dr. #502
Pompano Beach, FL 33069 USA
Phone: 866 - NORDMED
Phone: 866-667-3633



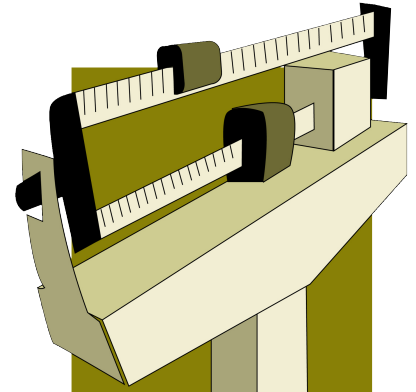
NORDICMED

SCANDINAVIAN HEALTHCARE PROFESSIONALS

6. Our Principal Nurse Recruiters each have over 30 years of experience as both practicing RNs and hospital administrators (responsible for recruiting nurses and physicians) in Sweden. They were responsible for heading all hospitals and clinics in central Stockholm and the surrounding suburbs. They have personally interviewed several thousand nurses and doctors during their careers.
7. NordicMed coordinators verify states' licenses and certification of our nurses prior to offering them as candidates for employment.
8. NordicMed contacts you, the client facility, regularly to ensure that our nurses have exhibited the high standards of professionalism and competency expected of them. We then ask you to rate them on these qualities and inform us of your level of satisfaction.
9. We provide both our nurses and the hospitals with a 24-hour access number to one of our managers should a problem ever arise.

All NordicMed nurses have passing scores on the TOEFL, NCLEX and/or CGFNS exams as well as accreditation from their native countries. NordicMed nurses are available for short-term/ long-term contracts or permanent full-time employment.

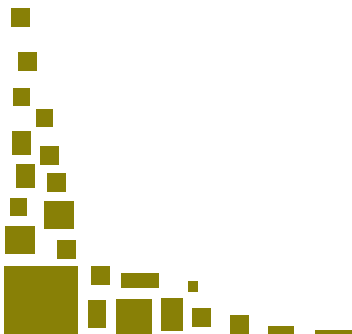
We at NordicMed are convinced that you will be highly pleased with our nurses as well as our services.



NORDICMED USA

P.O. Box 1222
Andover, MA 01810 USA
info@NordicMed.com
www.NordicMed.com
1 (877) -966-7342
1 (877) -9NORDIC

WHY NORDICMED



NordicMed Massachusetts
P.O. Box 1222
Andover, MA 01810 USA
Phone: 877 - 9NORDIC
Phone: 877 - 966-7342

NordicMed Sweden
Karl Gerhardsväg 25
133 35 Saltsjöbaden, Sweden
Phone: 46 - (08) - 660 62 86
Fax: 46 - (08) - 13 27 10

NordicMed Florida
2940 North Course Dr. #502
Pompano Beach, FL 33069 USA
Phone: 866 - NORDMED
Phone: 866-667-3633